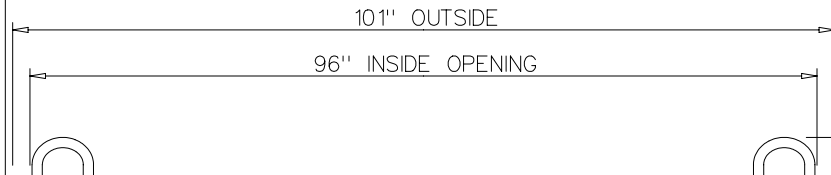
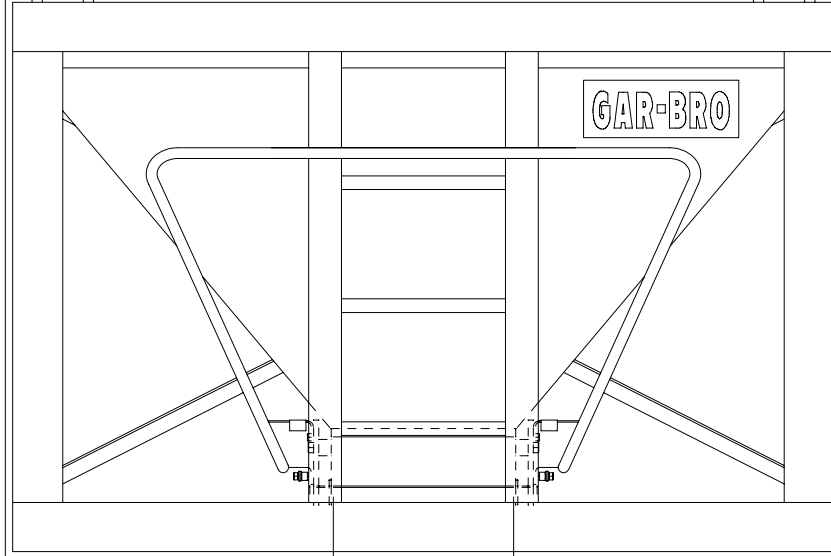


1 1/4" DIAMETER
4 PLACES



101" OUTSIDE

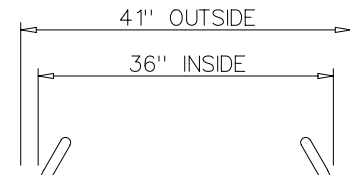
96" INSIDE OPENING



GAR-BRO

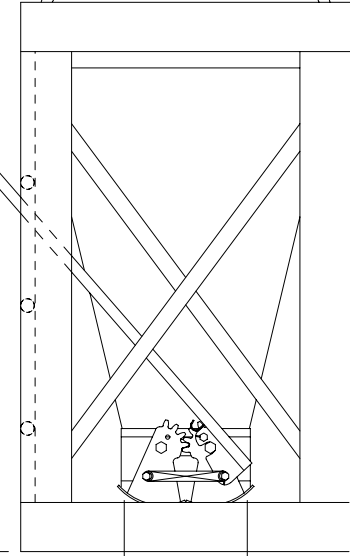
67" LOADING HEIGHT
73" OVERALL HEIGHT

22" GATE
OPENING



41" OUTSIDE

36" INSIDE



15" GATE
OPENING

GAR-BRO MANUFACTURING CO.
104 BOLTON SULLIVAN DRIVE P.O. DRAWER 1077
HEBER SPRINGS, ARKANSAS - 72543-1077

ITEM 458
2.0 CUBIC YARD
ROCK HOPPER

with

15" x 22" MANUALLY OPERATED GATE

SCALE	NONE	SHOP NO.	SALES
DATE	8-28-02	SHIPPING CUBICS	
REVISED		DRAWING NO.	
MADE BY	BLC	81-24	
CHANGED TO/FROM		SHEET	AA OF
SUPERSEDES			

HOPPER DATA:
 RATED CAPACITY: 2.0 CUBIC YARDS
 WATER LEVEL CAPACITY: 59.81 CUBIC FEET
 FREEBOARD AT 2 CUBIC YARD CAPACITY: 3 INCHES
 EMPTY WEIGHT: 1,335 LBS.
 MAXIMUM GROSS WEIGHT: 10,500 LBS.
 MAXIMUM AGGREGATE SIZE: 2 INCHES