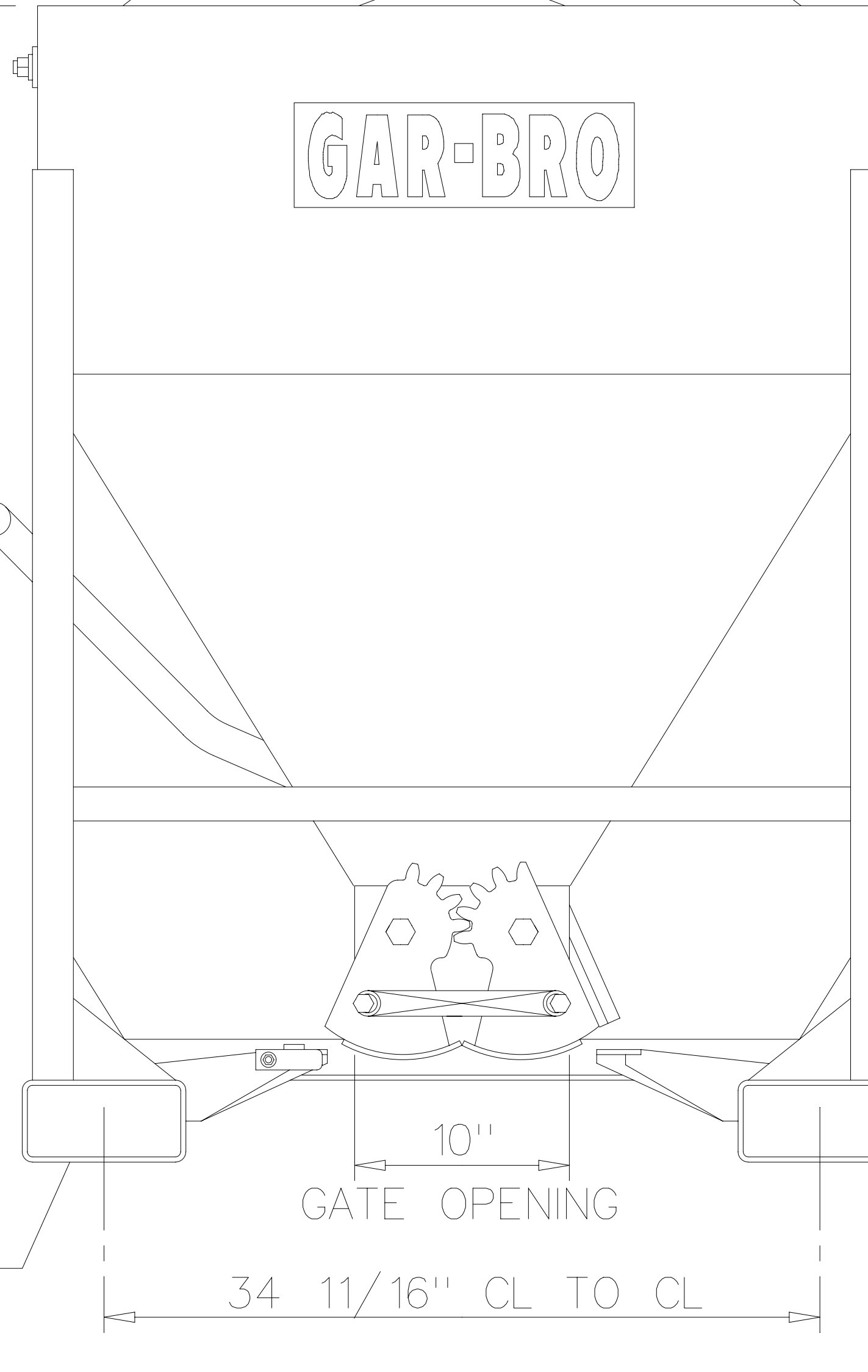
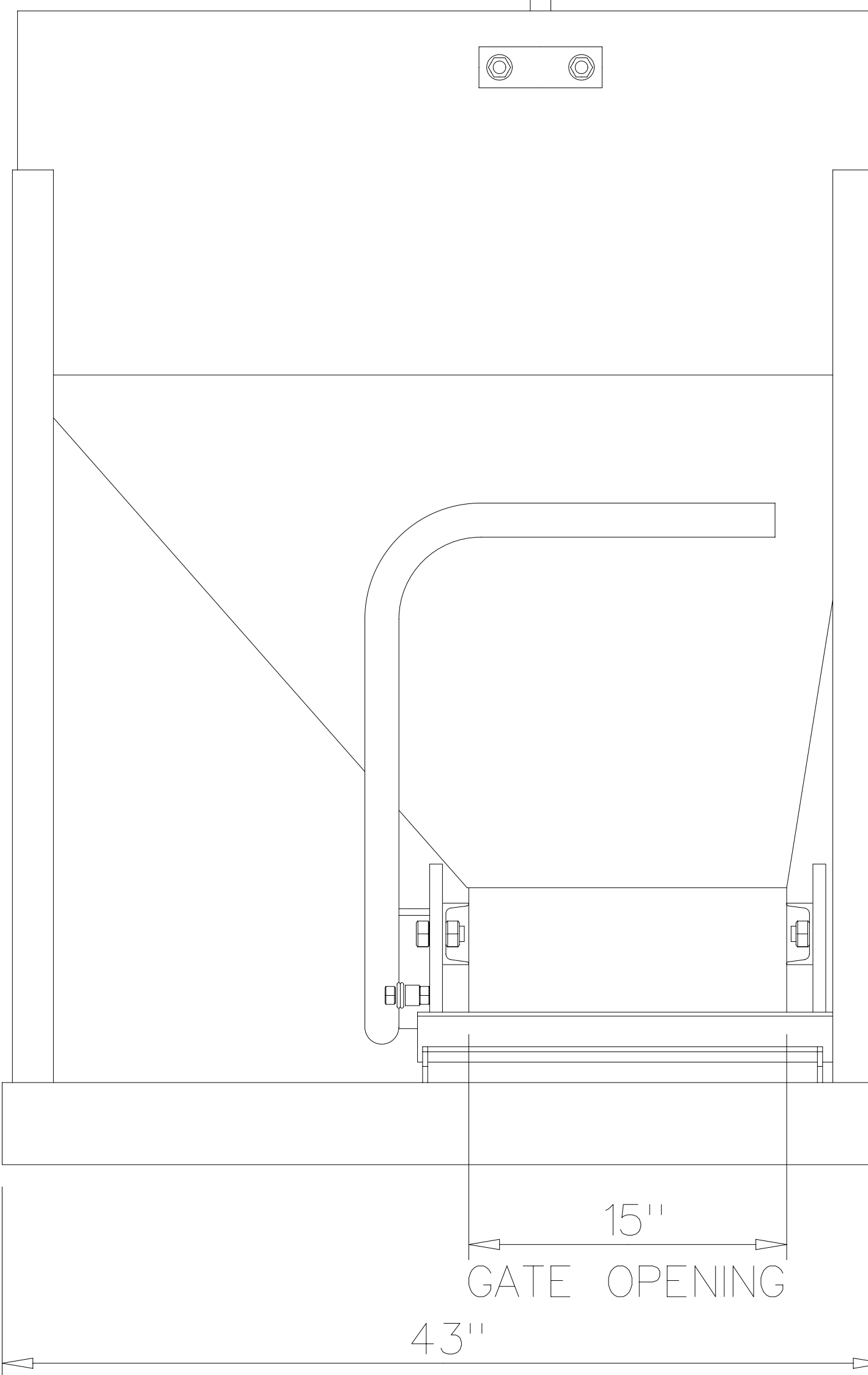
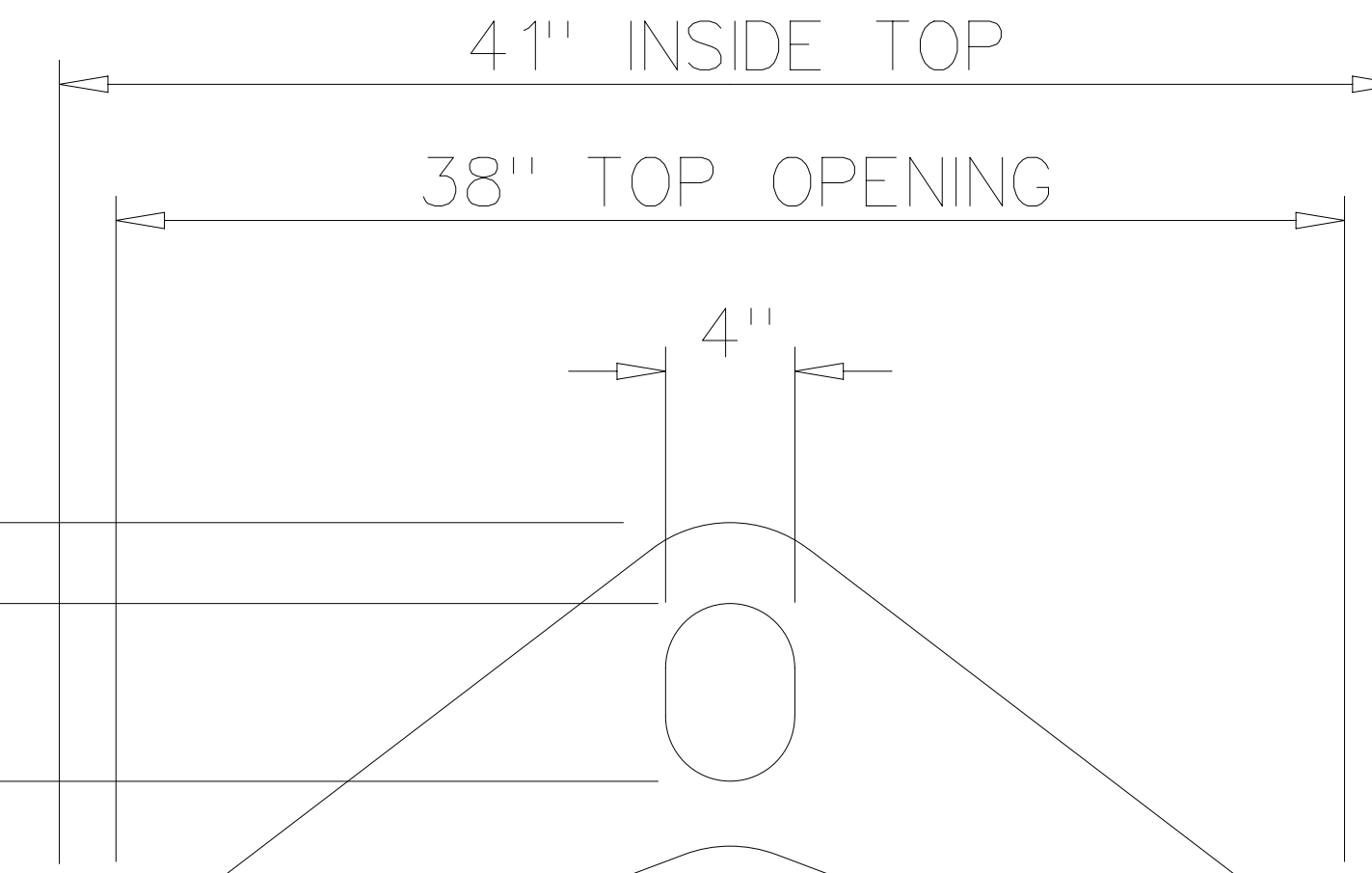
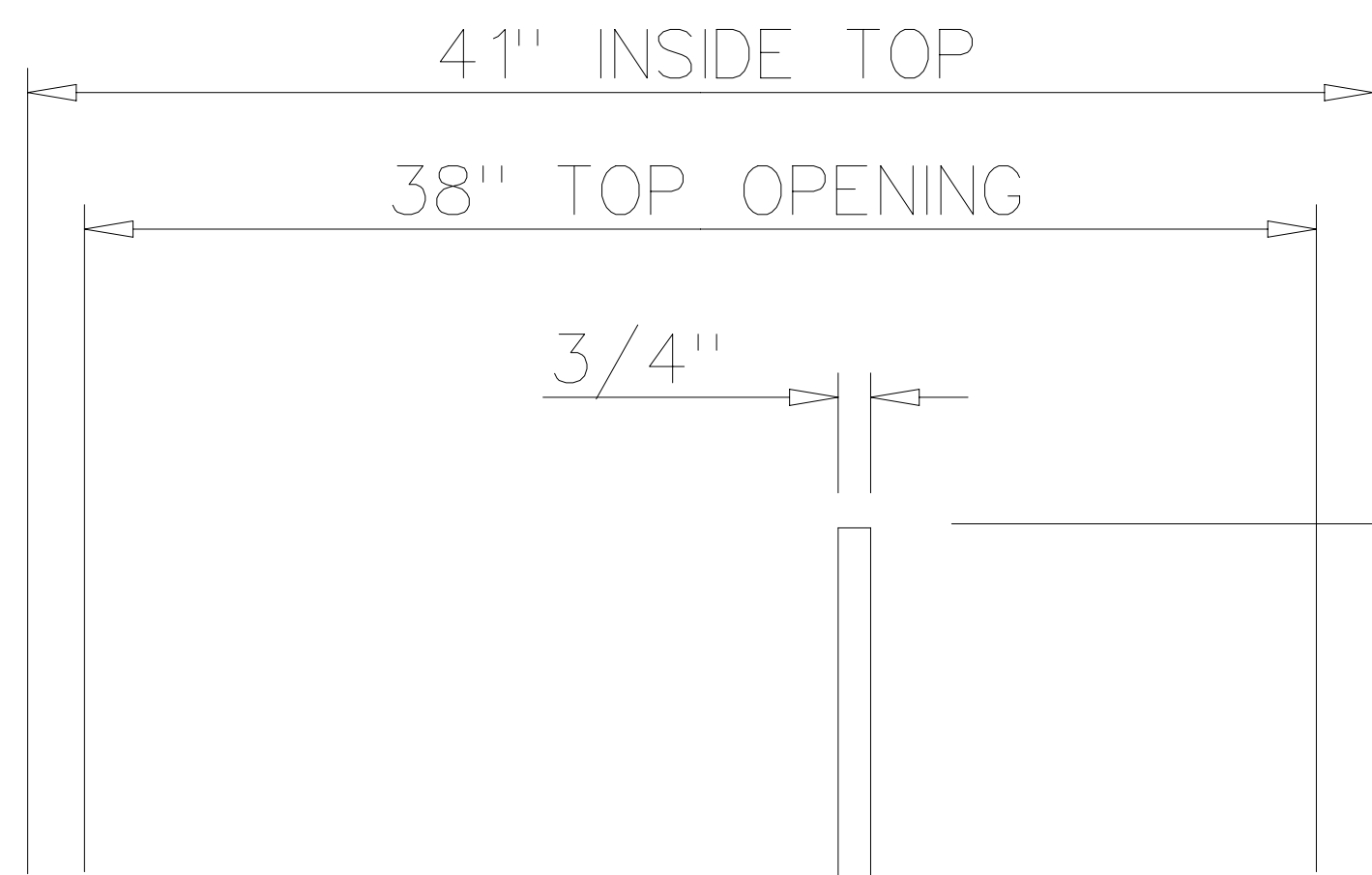


BUCKET DATA:
 RATED CAPACITY: 1 CUBIC YARD
 WATER LEVEL CAPACITY: 28.7 CUBIC FEET
 FREEBOARD AT RATED CAPACITY: 1 3/4 INCHES
 EMPTY WEIGHT (EST): 500 LBS
 MAXIMUM GROSS WEIGHT: 5,000 LBS



68" OVERALL HEIGHT
 66" SUSPENDED HEIGHT
 56" LOADING HEIGHT

3 5/8" X 7 5/8" INSIDE
 TYPICAL - 2 PLACES

GAR-BRO MANUFACTURING CO.
 104 BOLTON SULLIVAN DRIVE P.O. DRAWER 1077
 HEBER SPRINGS, ARKANSAS - 72543-1077

GAR-BRO ITEM 4928
1 CU.YARD "COMBO"
BUCKET

with
 10" X 15" MANUALLY OPERATED GATE
 FORKPOCKETS, AND PLATE TYPE BAIL

SCALE	NONE	SHOP NO.	SALES
DATE	4-27-00	SHIPPING CUBICS	
REVISED	8-11-09	DRAWING NO.	
MADE BY	JPA	89-28	
CHANGED TO/FROM			
SUPERSEDES		SHEET	AA OF

NOTE: FORKLIFT REQ'D TO USE THIS BUCKET
 MUST BE CAPABLE OF HANDLING
 5000 LBS. @ 24 INCH LOAD CENTER
 ASSUMES MAT'L DENSITY OF 145 LBS./CU. FT.
 LOADED CG @ 24-INCHES FROM FACE OF FORKS