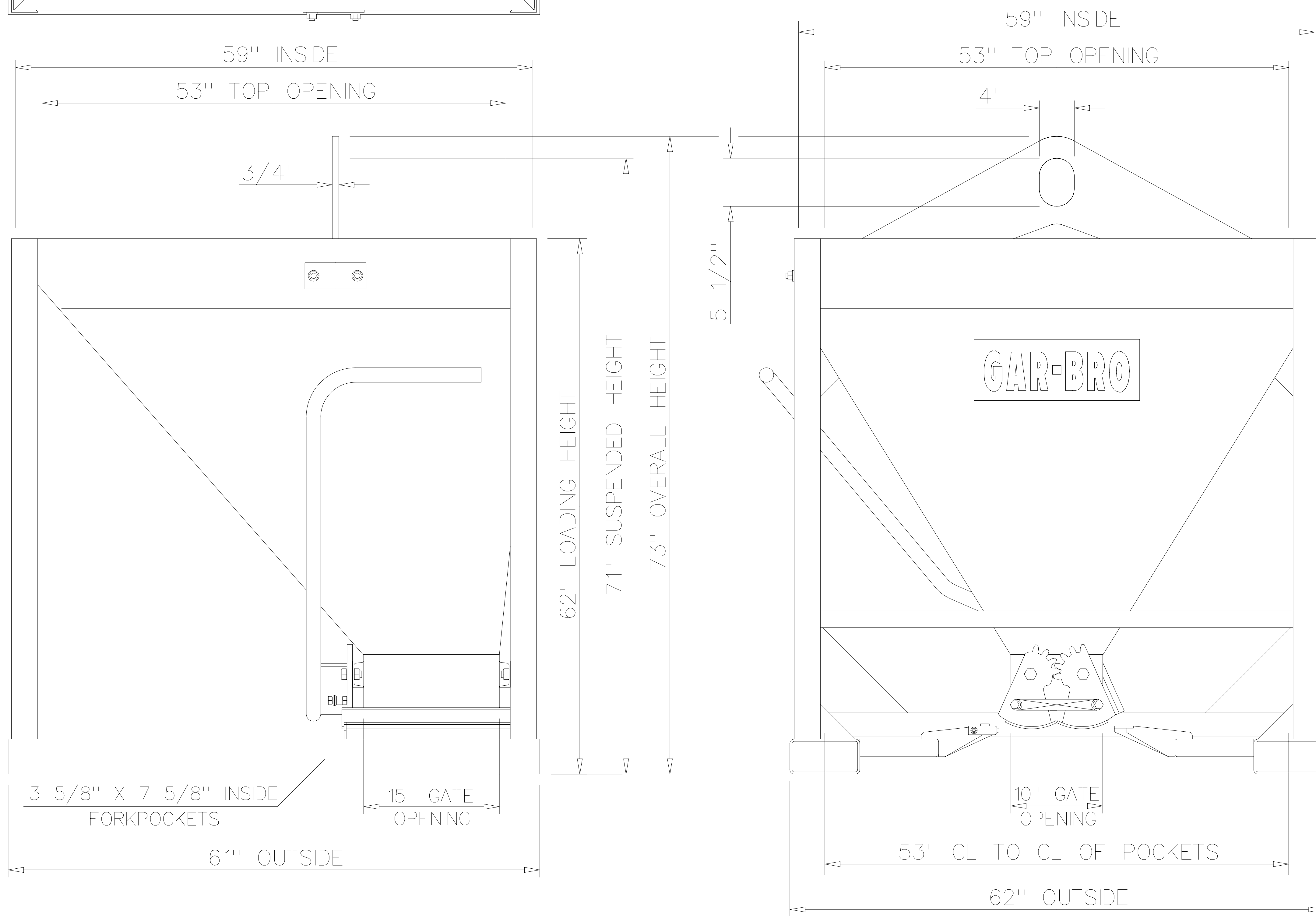
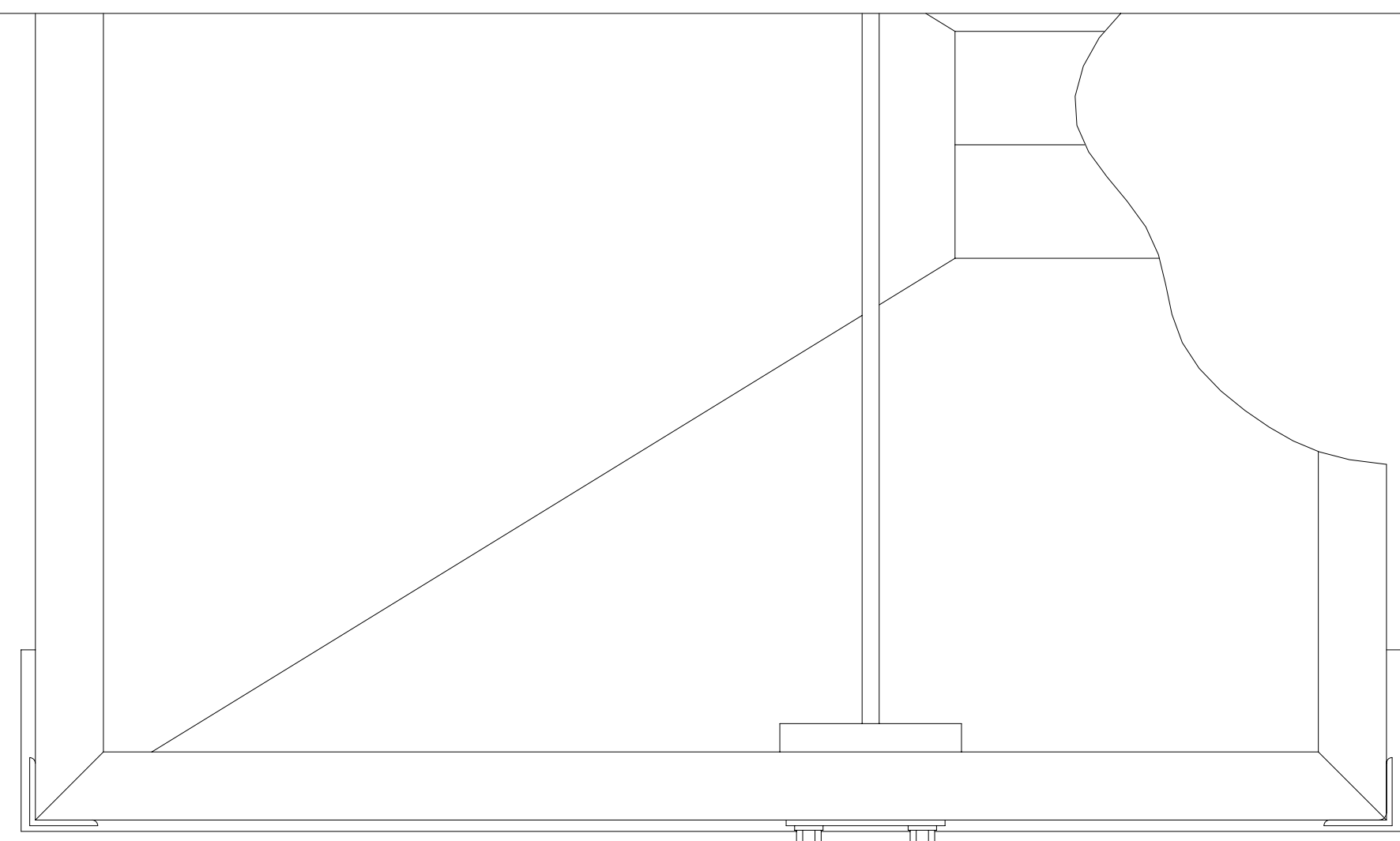


NOTE: FORKLIFT REQ'D TO USE THIS BUCKET
 MUST BE CAPABLE OF HANDLING
 10,800 LBS. @ 24 INCH LOAD CENTER
 ASSUMES MAT'L DENSITY OF 145 LBS./CU. FT.
 LOADED CG @ 24-INCHES FROM FACE OF FORKS

NOTE: WIDE FORK CARRIAGE MAY BE REQUIRED
 FOR USE ON CERTAIN MACHINES

BUCKET DATA:

BUCKET NOMINAL CAPACITY: 1 1/2 CUBIC YARDS
 BUCKET WATER LEVEL CAPACITY: 46.4 CUBIC FEET
 FREEBOARD AT RATED CAPACITY: 3 INCHES
 EMPTY WEIGHT: 830 LBS
 MAXIMUM GROSS WEIGHT: 7,750 LBS



GAR-BRO MANUFACTURING CO. 104 BOLTON SULLIVAN DRIVE P.O. DRAWER 1077 HEBER SPRINGS, ARKANSAS - 72543-1077			
ITEM 4940 1 1/2 CUBIC YARD COMBO BUCKET 10" X 15" MANUAL GATE			
SCALE	NONE	SHOP NO.	SALES
DATE	1-12-96	SHIPPING CUBICS	
REVISED	8-11-09	DRAWING NO.	
MADE BY	JPA	95-72	
CHANGED TO/FROM		SHEET	AA OF
SUPERSEDES			