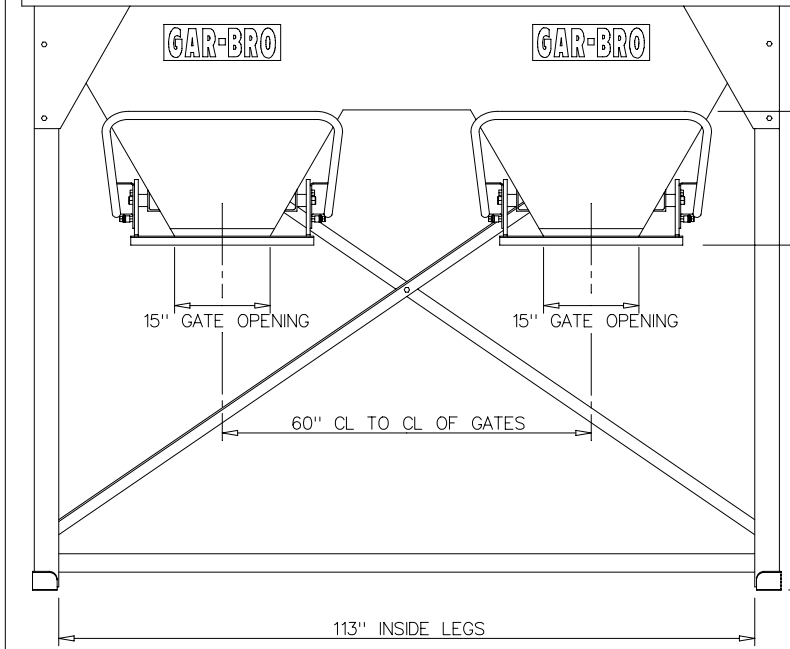
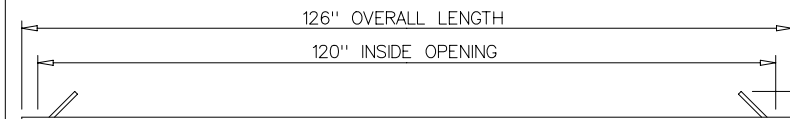


ITEM D - H=8"
 ITEM E - H=16"
 ITEM F - H=24"



15" GATE OPENING

15" GATE OPENING

60" CL TO CL OF GATES

56" GATE HEIGHT

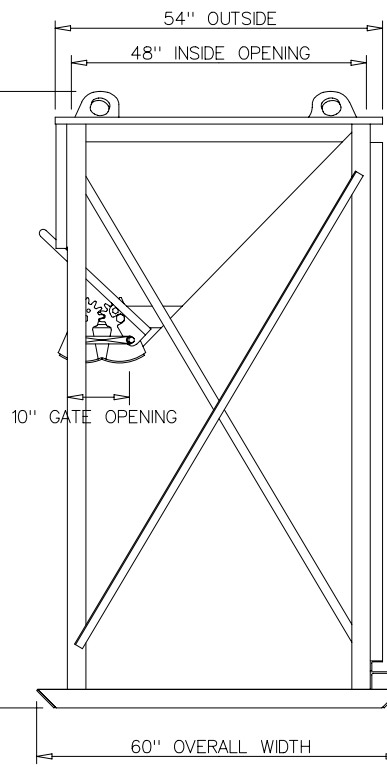
78" HANDLE HEIGHT

ITEM 3652-T - 96" LOADING HEIGHT

ITEM 3652-T - 102" OVERALL HEIGHT

113" INSIDE LEGS

EXTENSION COLLARS		TALL VF FLOOR HOPPERS			
ITEM NO.	TO FORM	ITEM NO.	LOADING HEIGHT (INCHES)	CAP. (CU. YD)	WEIGHT (POUNDS)
-		3652-T	96	2.0	1,285
D		3802-T	104	3.0	1,435
E		3092-T	112	4.0	1,525
F		3342-T	120	5.0	1,610



54" OUTSIDE

48" INSIDE OPENING

10" GATE OPENING

60" OVERALL WIDTH

GAR-BRO MANUFACTURING CO.
 104 BOLTON SULLIVAN DRIVE P.O. DRAWER 1077
 HEBER SPRINGS, ARKANSAS - 72543-1077

**ITEMS 3652-T, 3802-T
 3092-T & 3342-T
 DUAL GATE, VERTICAL FRONT
 FLOOR HOPPERS FOR USE
 WITH "POWER CARTS"**

SCALE	NONE
DATE	6-8-01
REVISED	
MADE BY	DCG
CHANGED TO/FROM	
SUPERSEDES	

SHOP NO.	SALES
DRAWING NO.	
01-45	
SHEET	AA OF