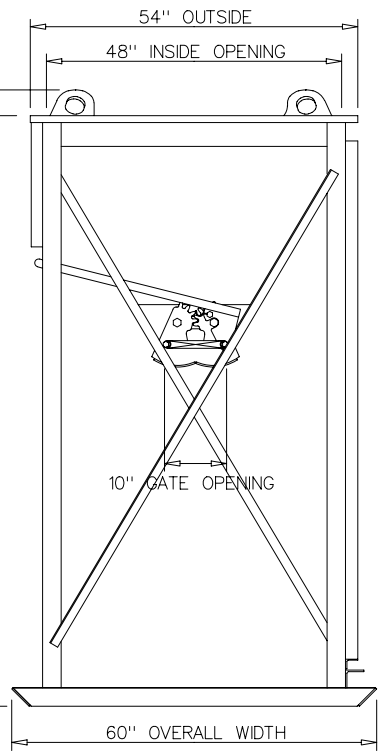
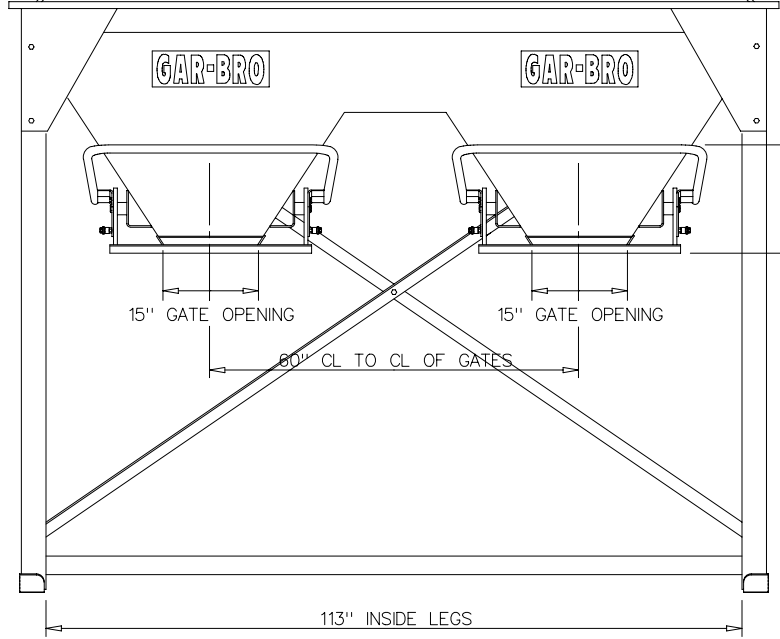
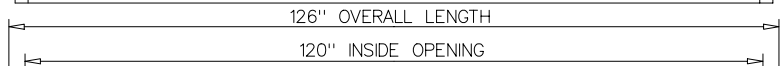
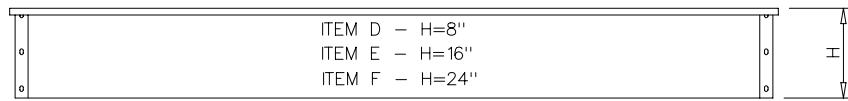


EXTENSION COLLARS		TALL CD FLOOR HOPPERS			
ITEM NO.	TO FORM NO.	ITEM NO.	LOADING HEIGHT (INCHES)	CAP. (CU. YD)	WEIGHT (POUNDS)
-	3642-T		96	2.4	1,185
D	3902-T		104	3.4	1,340
E	3182-T		112	4.4	1,430
F	3442-T		120	5.4	1,515



GAR-BRO MANUFACTURING CO.
 104 BOLTON SULLIVAN DRIVE P.O. DRAWER 1077
 HEBER SPRINGS, ARKANSAS - 72543-1077

**ITEMS 3642-T, 3902-T
 3182-T & 3442-T
 DUAL GATE, CENTER DISCH.
 FLOOR HOPPERS FOR USE
 WITH "POWER CARTS"**

SCALE	NONE
DATE	6-28-01
REVISED	
MADE BY	DCG
CHANGED TO/FROM	
SUPERSEDES	

SHOP NO.	SALES
DRAWING NO.	
01-51	
SHEET	AA OF