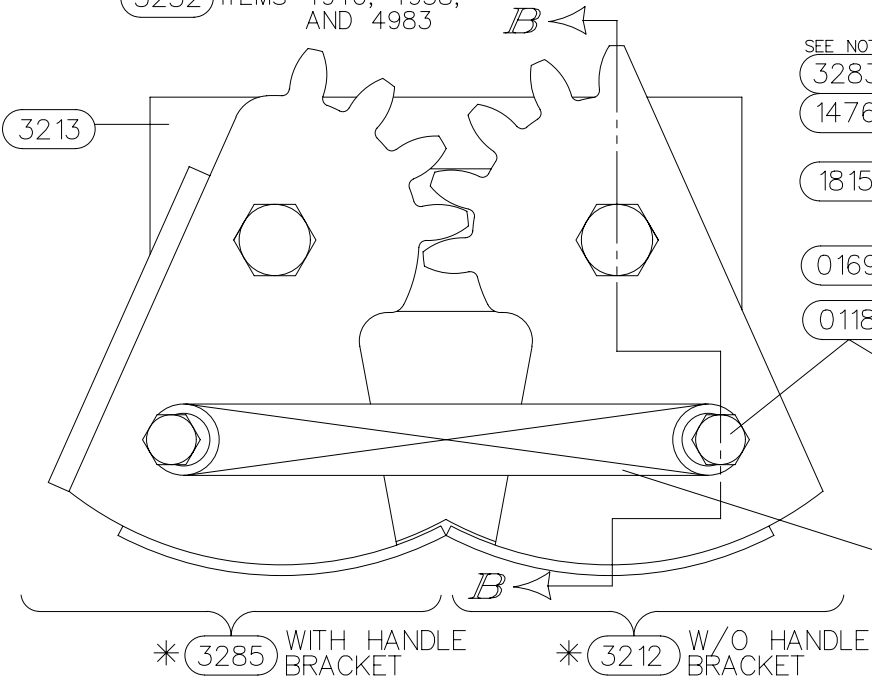


WHEN ORDERING PARTS, SPECIFY:
 1. PART NUMBER
 2. QUANTITY
 3. DESCRIPTION
 4. THIS DRAWING NUMBER: 02-39 SHEET A

3213 3214 ITEMS 4911, 4914,
 OR AND 4920
 3215 ITEM 4928
 OR
 3232 ITEMS 4940, 4958,
 AND 4983

NOTE: CLEAN PIVOT BOLT O.D. & HINGE BAR I.D. WITH
 LOCTITE ODC-FREE CLEANER & DEGREASER OR
 CRC HEAVY DUTY DEGREASER, APPLY LOCTITE 277
 (GARBRO PART # 3283) THREAD LOCKER TO I.D. OF
 OF EACH TAPPED HOLE IN HINGE BAR, 2 PLACES-
 180 DEGREES APART
 TORQUE PIVOT BOLT TO 90 FT-LBS ± 5 FT-LBS 4 PLACES



SEE NOTE
 3283

1476

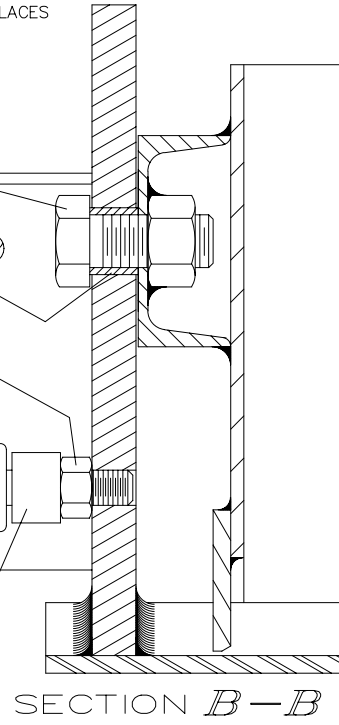
1815

0169

0118

0359

1814



SECTION B-B

PART NUMBER	DESCRIPTION
3285	GATE PLT/RADIUS ARM ASS'Y WITH HANDLE BRACKET
3283	LOCTITE
3232	HANDLE ASSEMBLY, ITEMS 4940, 4958, AND 4983
3215	HANDLE ASSEMBLY, ITEM 4928
3214	HANDLE ASSEMBLY, ITEMS 4911, 4914, AND 4920
3213	GATE COMPLETE, 10X15, MANUAL
3212	GATE PLT/RADIUS ARM ASS'Y WITHOUT HANDLE BRACKET
1815	BUSHING, RADIUS ARM
1814	SPACER, SPRING
1476	CAPSCREW, 3/4-16 X 2
1045	CAPSCREW, 1/2-13 X 1 3/4
0359	GATE SPRING
0169	HEX NUT, 1/2-13
0118	CAPSCREW, 1/2-13 X 2 1/4
0019	LOCKWASHER
GAR-BRO MANUFACTURING CO. 104 BOLTON SULLIVAN DRIVE P.O. DRAWER 1077 HEBER SPRINGS, ARKANSAS - 72543-1077	
PARTS LIST FOR ITEMS 4911 THRU 4983 COMBO BUCKETS WITH 10 INCH X 15 INCH MANUAL GATE	
SCALE	NONE
DATE	5-23-02
REVISED	
MADE BY	BLC
CHANGED TO/FROM	
SUPERSEDES	
SHOP NO.	PARTS
SHIPPING CUBICS	
DRAWING NO.	02-39
SHEET	A OF