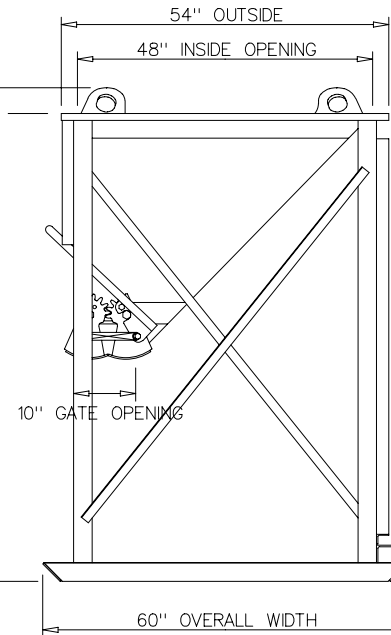
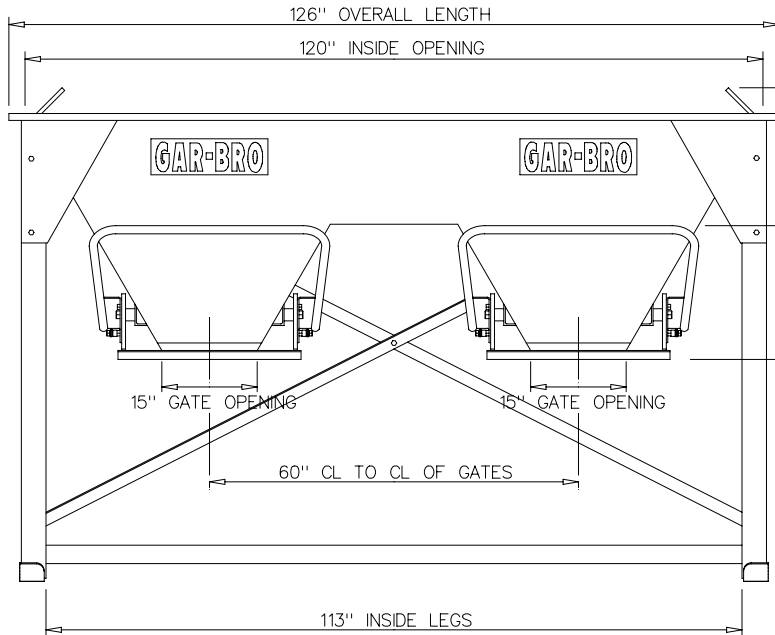
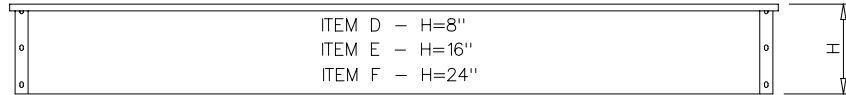


EXTENSION COLLARS		STANDARD VF FLOOR HOPPERS			
ITEM NO.	TO FORM	ITEM NO.	LOADING HEIGHT (INCHES)	CAP. (CU. YD)	WEIGHT (POUNDS)
-		3552	76	2.0	1,200
D		3802	84	3.0	1,350
E		3092	92	4.0	1,440
F		3342	100	5.0	1,525



GAR-BRO MANUFACTURING CO.
 104 BOLTON SULLIVAN DRIVE P.O. DRAWER 1077
 HEBER SPRINGS, ARKANSAS - 72543-1077

**ITEMS 3552, 3802
 3092 & 3342
 DUAL GATE, VERTICAL FRONT
 FLOOR HOPPERS FOR USE
 WITH CONCRETE CARTS**

SCALE	NONE
DATE	11-20-97
REVISED	6-8-01
MADE BY	BLC
CHANGED TO/FROM	
SUPERSEDES	

SHOP NO.	SALES
DRAWING NO.	
97-54	
SHEET	AA OF