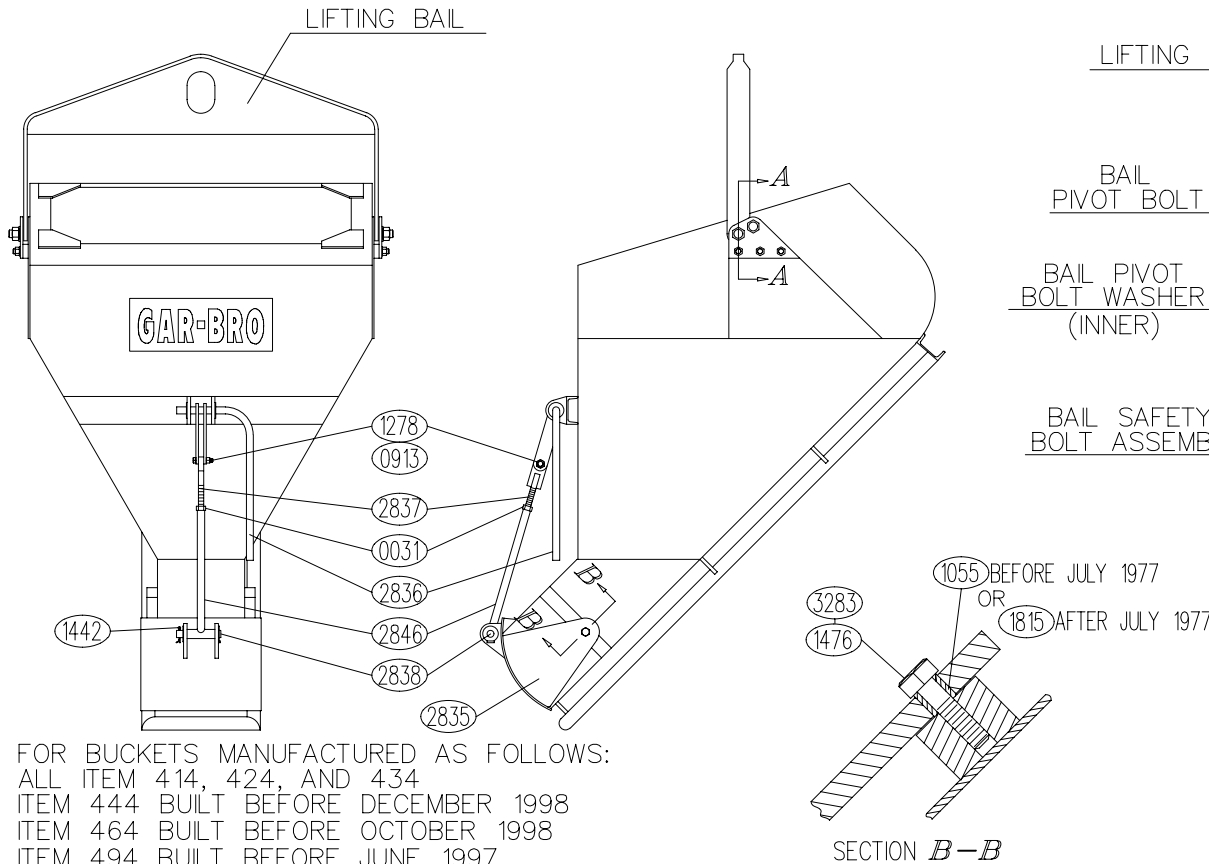


WHEN ORDERING PARTS, SPECIFY:

1. THIS DRAWING NO: 76-24
2. PART NUMBER
3. QUANTITY
4. DESCRIPTION

DESCRIPTION	414	424	434	444	464	494	4124
LIFTING BAIL	1057	1058	1059	1060	1061	1062	3166
BAIL PIVOT BOLT	1204	1204	1204	1204	1204	1206	1206
BAIL PIVOT BOLT NUT	1761	1761	1761	1761	1761	3065	3065
BAIL PIVOT BUSHING	1066	1066	1066	1066	1067	1068	1068
BAIL SAFETY BOLT ASS'Y	3168	3169	2873	2874	2875	2875	3167
BAIL PIVOT BOLT WASHER OUTER	0203	0203	0203	0203	0203	0274	0274
BAIL PIVOT BOLT WASHER INNER	0203	0203	0203	0203	0203	1220	1220

PART #	DESCRIPTION
3283	THREAD LOCKING CMPD
2846	GATE LINK TO LEVER
2838	LOWER LEVEL PIVOT PIN
2837	LEVER EYE BOLT
2836	GATE LEVER
2835	GATE PLATE ASSY.
1815	PIVOT BUSHING
1476	GATE HINGE BOLT
1442	COTTER PIN
1278	UPPER LEVER PIVOT BOLT
1055	PIVOT BUSHING
0913	LOCK NUT
0031	HEX NUT



FOR BUCKETS MANUFACTURED AS FOLLOWS:
 ALL ITEM 414, 424, AND 434
 ITEM 444 BUILT BEFORE DECEMBER 1998
 ITEM 464 BUILT BEFORE OCTOBER 1998
 ITEM 494 BUILT BEFORE JUNE 1997
 ITEM 4124 BUILT BEFORE MAY 1999
 FOR BUCKETS MANUFACTURED LATER THAN SHOWN, SEE DRAWING 01-56

GAR-BRO MANUFACTURING CO.
 104 BOLTON SULLIVAN DRIVE P.O. DRAWER 1077
 HEBER SPRINGS, ARKANSAS - 72543-1077

**ITEM 414 THRU. 4124
 LIGHTWEIGHT EXTENDED
 GATE LAYDOWN BUCKETS
 PARTS LIST**

SCALE	NONE	SHOP NO.	SALES
DATE	6-8-01	SHIPPING CUBICS	
REVISED	12-15-05	DRAWING NO.	
MADE BY	JPA	76-24	
CHANGED TO/FROM			
SUPERSEDES		SHEET	A OF A