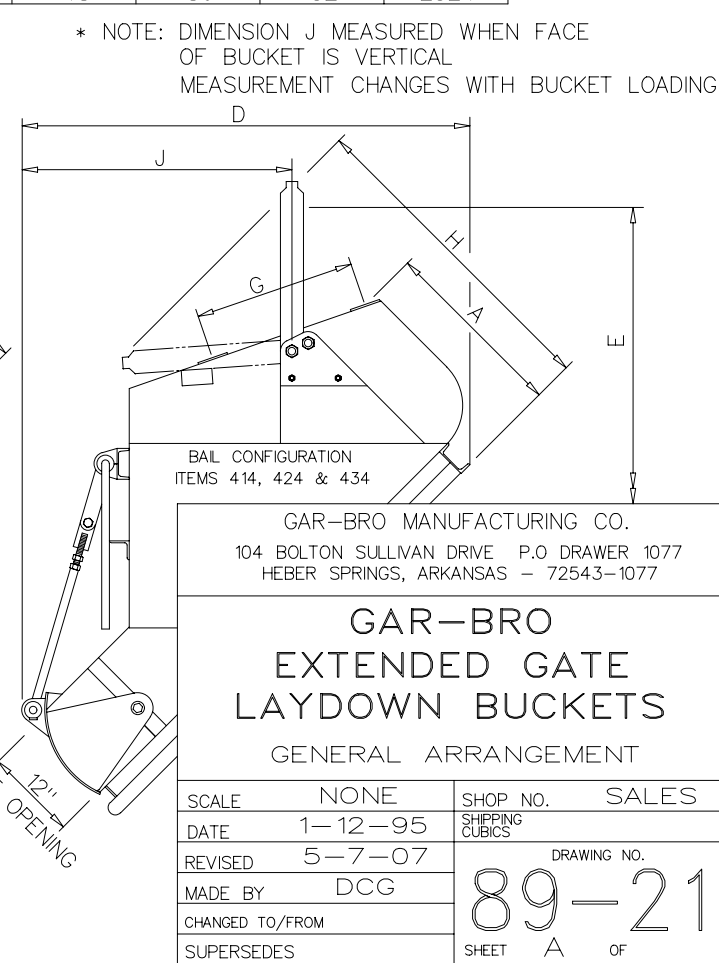
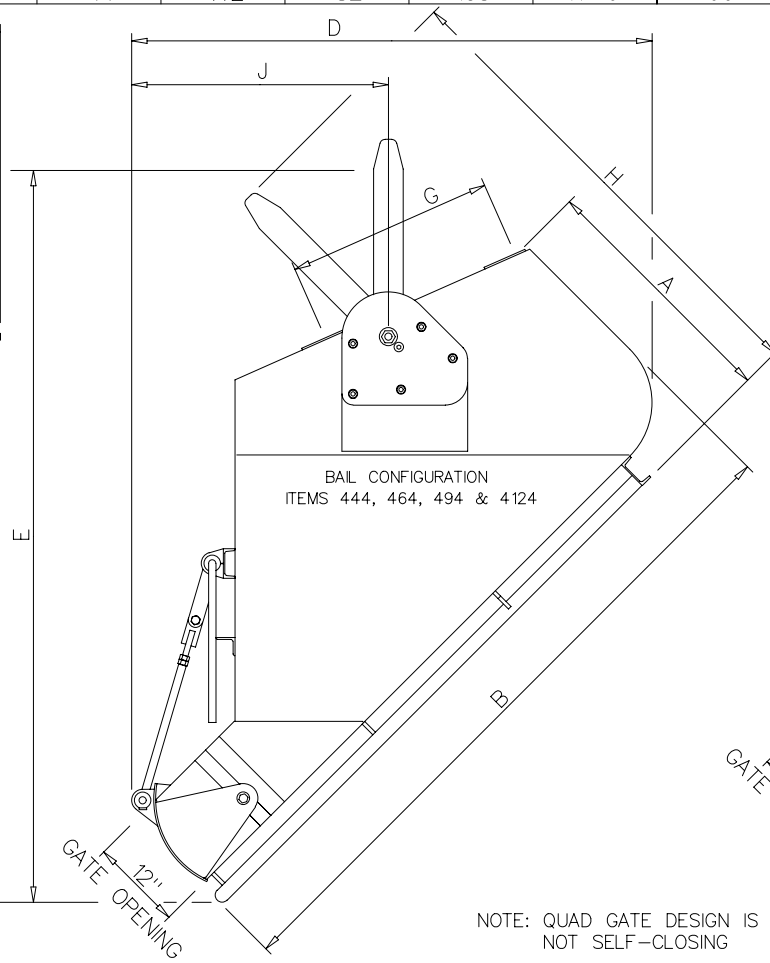
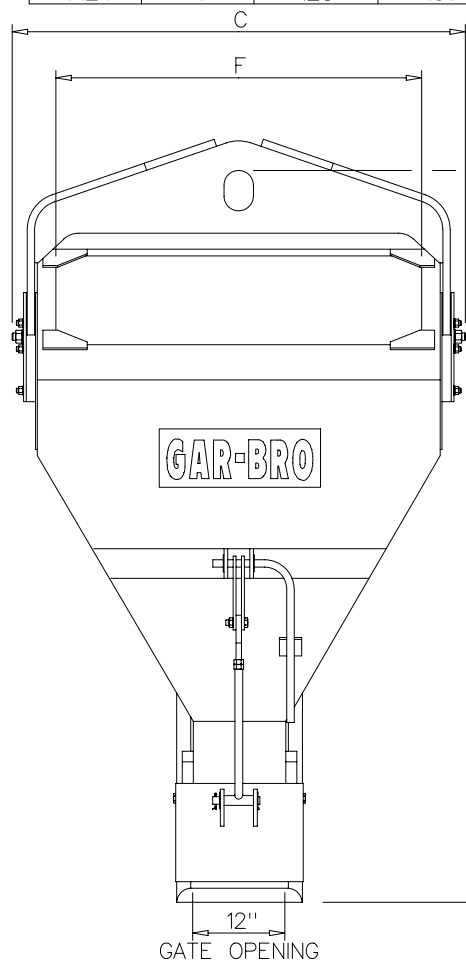


| ITEM NUMBER | RATED CAPACITY (CU. YD.) | LEVEL CAPACITY | | LOADING HEIGHT DIM. A (INCHES) | OVERALL LENGTH DIM. B (INCHES) | OVERALL WIDTH DIM. C (INCHES) | OVERALL WIDTH DIM. D (INCHES) | OVERALL SUSPENDED DIM. E (HEIGHT) | TOP OPENING DIM. F (INCHES) | TOP OPENING DIM. G (INCHES) | OVERALL HEIGHT DIM. H (INCHES) | LIFTING BAIL PIVOT TO EDGE OF GATE * DIM. J (INCHES) | OVERALL WEIGHT (POUNDS) |
|-------------|--------------------------|-----------------------------|--------------------------------|--------------------------------|--------------------------------|-------------------------------|-------------------------------|-----------------------------------|-----------------------------|-----------------------------|--------------------------------|--|-------------------------|
| | | CHARGING POSITION (CU. FT.) | DISCHARGING POSITION (CU. FT.) | | | | | | | | | | |
| 414 | 1/2 | 18 | 20 | 24 | 72 | 45 | 59 | 6'-8" | 35 | 23 | 48 | 36 | 533 |
| 424 | 3/4 | 27 | 28 | 30 | 76 | 50 | 62 | 7'-5" | 38 | 24 | 55 | 36 | 596 |
| 434 | 1 | 33 | 33 | 31 | 84 | 54 | 66 | 7'-9" | 44 | 27 | 61 | 39 | 741 |
| 444 | 1 1/2 | 49 | 52 | 35 | 93 | 62 | 71 | 8'-4" | 50 | 30 | 66 | 35 | 1084 |
| 464 | 2 | 66 | 76 | 36 | 103 | 68 | 77 | 9'-5" | 56 | 37 | 73 | 38 | 1228 |
| 494 | 3 | 97 | 117 | 38 | 124 | 75 | 93 | 10'-7" | 60 | 42 | 84 | 43 | 1904 |
| 4124 | 4 | 128 | 137 | 41 | 142 | 82 | 105 | 11'-6" | 66 | 48 | 86 | 52 | 2324 |



* NOTE: DIMENSION J MEASURED WHEN FACE OF BUCKET IS VERTICAL
MEASUREMENT CHANGES WITH BUCKET LOADING

GAR-BRO MANUFACTURING CO.
104 BOLTON SULLIVAN DRIVE P.O. DRAWER 1077
HEBER SPRINGS, ARKANSAS - 72543-1077

GAR-BRO EXTENDED GATE LAYDOWN BUCKETS

GENERAL ARRANGEMENT

| | | | |
|-----------------|---------|-----------------|------------|
| SCALE | NONE | SHOP NO. | SALES |
| DATE | 1-12-95 | SHIPPING CUBICS | |
| REVISED | 5-7-07 | DRAWING NO. | |
| MADE BY | DCG | 89-21 | |
| CHANGED TO/FROM | | | SHEET A OF |
| SUPERSEDES | | | |

NOTE: QUAD GATE DESIGN IS NOT SELF-CLOSING